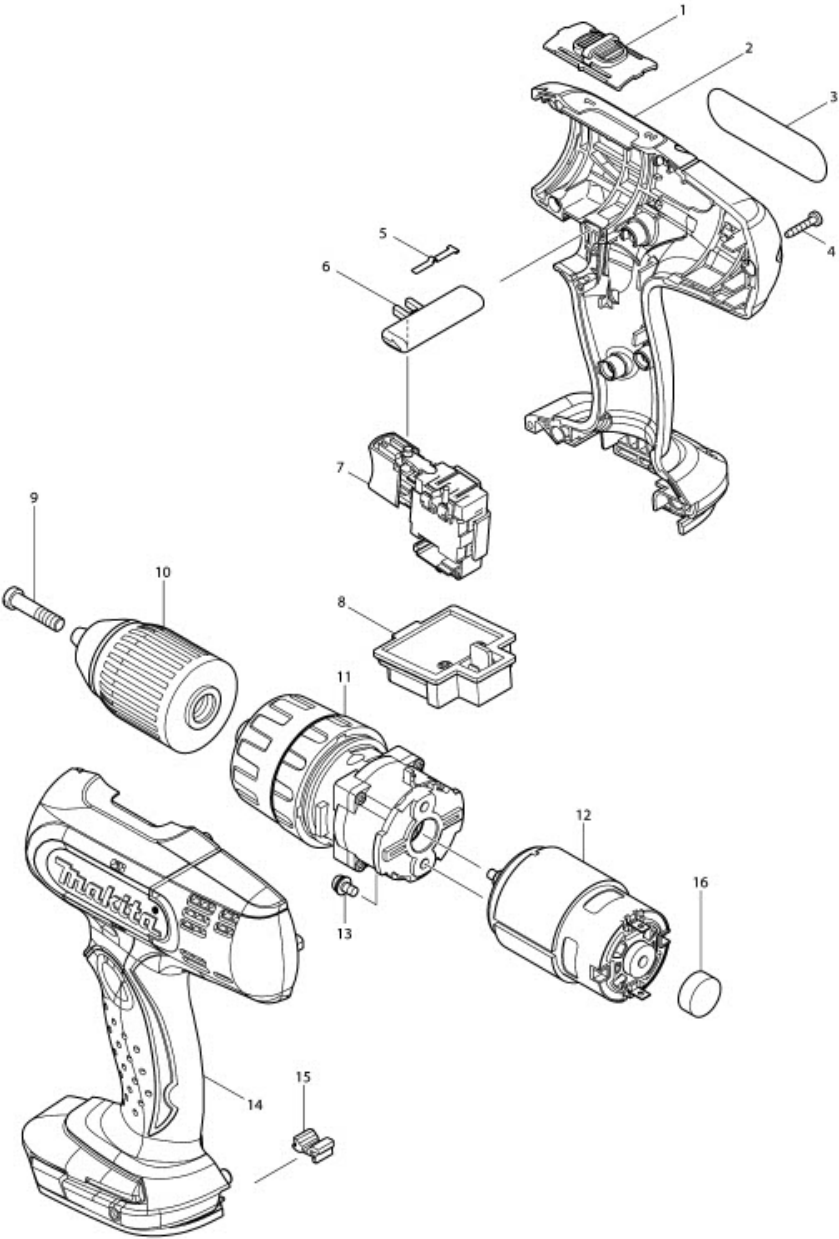


# Part Diagram

Model No.DHP453 CORDLESS PERCUSSN-DRIVER DRILL



Item	Sub	Parts No.	Parts Description	Qty
1		125310-5	SPEED CHANGE LEVER ASS'Y	1
1	C10	231433-0	COMPRESSION SPRING 4	2
2		187363-2	HOUSING SET	1
2	C10	263005-3	RUBBER PIN 6	2
2	D10		INC. 14	
3		815J03-9	DHP453 NAME PLATE	1
4		266130-9	TAPPING SCREW BIND PT 3X16	9
5		232182-2	LEAF SPRING	1
6		419250-0	F/R CHANGE LEVER	1
7		632A24-0	SWITCH UNIT	1
8		643852-2	TERMINAL	1
9		251468-5	- FLAT HEAD SCREW M6X22	1
10		766004-9	KEYLESS DRILL CHUCK 13	1
11		125485-0	GEAR ASS'Y	1
011-1		125485-0	GEAR ASS'Y	1
12		629937-8	DC MOTOR	1
13		911108-4	PAN HEAD SCREW M4X8	2
14		187363-2	HOUSING SET	1
14	C10	263005-3	RUBBER PIN 6	2
14	D10		INC. 2	
15		424476-1	CUSHION	1
16		421940-3	CAP	1
A01		784636-0	+ - BIT 2-65	1
A02		***DC18SD	DC18SD BATTERY CHARGER	1
A02		***DC18RC	DC18RC FAST CHARGER	1
A03		197600-6	BATTERY BL1830B SET	1
A03-1B		196235-0	BATTERY BL1815N SET	2
A03-1C		196399-0	BATTERY BL1840 SET	2
A03-2C		197265-4	BATTERY BL1840B SET	2
A03-2D		197600-6	BATTERY BL1830B SET	2
A03-3C		197265-4	BATTERY BL1840B SET	2
A03-3D		197600-6	BATTERY BL1830B SET	2
A04		450128-8	BATTERY COVER	1
A05		158777-2	PLASTIC CARRYING CASE	1
A05B	C10	163455-1	LATCH	2
A05B	C20	419360-3	HANDLE	1
A05G		821809-5	PLASTIC CASE	1
A05G	C10	455522-9	SLIDE LATCH	2
A06G		D-72148	ACCESSORY SET FOR HP453	1